



MADE IN ITALY



CERTIFIED QUALITY SYSTEM UNI EN ISO 9001

## Products series V (Thermometer)

**Application:** display cabinets, refrigerated counters, industrial dishwasher, catering, etc.

### Special feature:

- Safety transformer incorporated in the instruments.
- Resolution decimal in the measurement range  $-9,9 \div 99,9^{\circ}\text{C}$ .
- Display 3 digit high 14,2mm, high efficiency.
- The series 2, is a format for replacement of mechanical thermometers.

### Only in series 2 has the following additional functions:

- Trimmer for calibration probe on the back of the instrument (compensation hotspot).
- Data display  $^{\circ}\text{C}$  or  $^{\circ}\text{F}$  switchable.

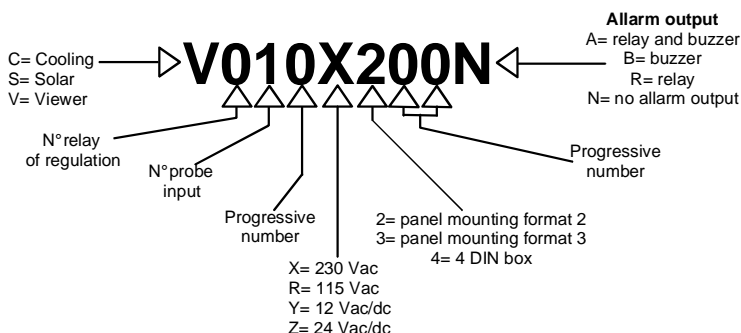


### Option:

Model series 3 available in single or multiple packaging (OEM).  
Model series 2 available in multiple packaging.

Custom made serigraphy.

### COMPOSITION CODE



	Product	
	V010 Series 2	V010 Series 3
<b>Dimension</b>		
Frontal 32x74 - cut-out 28x71	—	●
Frontal 29x62 - cut-out 25x58	●	—
<b>Power supply</b>		
230 Vac 50/60Hz	●	●
115 Vac 50/60Hz	*	*
24 Vac/dc	*	*
12 Vac/dc	*	*
<b>Probe inputs</b>		
NTC room (-50 ÷ 105 °C)	●	●
NTC room (-40 ÷ 155 °C)	*	*
<b>Special feature</b>		
Trimmer calibration	●	—
Data display °C o °F switchable	●	—

● standard \* optional — unavailable

## TECHNICAL DATA:

**Housing:** self-extinguishing V0.

**Case:** Series 2 frontal 29x62; Series 3 frontal 32x74.

**Connections:** Screw terminal block.

**Power supply:** 230Vac  $\pm$  10% 50/60 Hz; 115Vac  $\pm$  10% 50/60 Hz; 12Vac/dc  $\pm$  10%; 24Vac/dc  $\pm$  10%.

**Power absorption:** 1,6VA.

**Display:** Three digits, red LEDs height 14,2 mm, high efficiency.

**Input:** NTC probe.

**Data storing:** Non-volatile memory (EEPROM).

**Operating temperature:** 0  $\div$  60°C.

**Storage temperature:** -20  $\div$  70°C.

**Relative humidity:** 0  $\div$  90% non-condensing.

**Measuring range:** NTC 10K -50  $\div$  105°C; NTC 50K -40  $\div$  155°C.

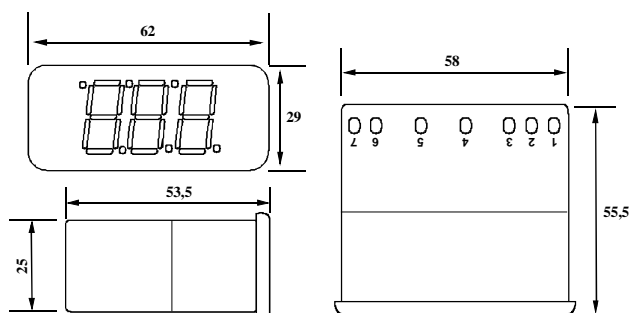
**Resolution:** 0.1°C (-9.9  $\div$  99.9) or 1°C , 1 °F.

**Accuracy:**  $\pm$ 0.7°C,  $\pm$ 1 digit.

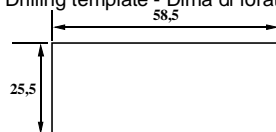
## DIMENSIONS:

### SERIES 2

#### Panel mounting box - Contenitore ad incasso

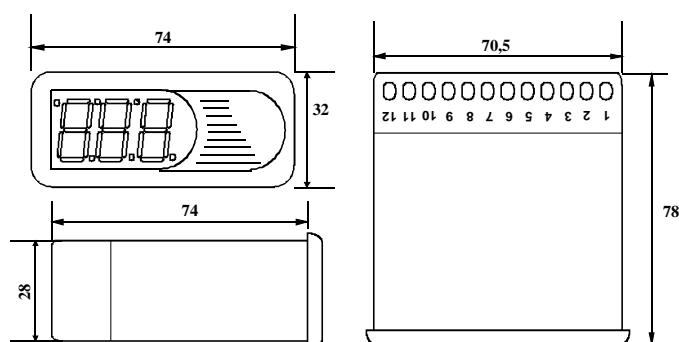


#### Drilling template - Dima di foratura

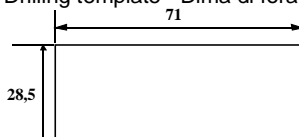


### SERIES 3

#### Panel mounting box - Contenitore ad incasso



#### Drilling template - Dima di foratura



The Manufacturer reserves the right to withdraw the product from production or make technical modifications whenever it deems necessary and with no obligation to provide notice.

Although all due care has been applied in the preparation of this documentation, Termoregolatori Campini-Corel declines all liability connected with its use.

**TERMOREGOLATORI CAMPINI-COREL S.p.A.**  
Mariano Comense / Como / Italy  
[www.campinicorel.it](http://www.campinicorel.it)  
Tel. +39 031 7530111